

交叉油缸纸板打包机

Cardboard Balers with Cross Cylinder

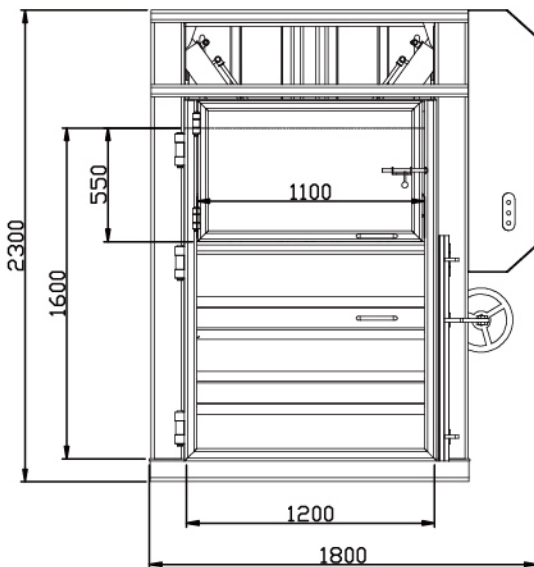
机器应用

专门用于纸板，废纸，废塑料等类似产品的压缩打包。

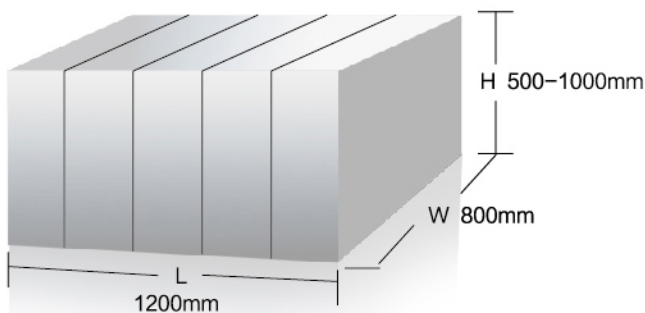
Usage

Specialized in compressing cardboards, paper, plastic scraps etc.

Diagram (Model XTY-300LJ12080)



Bale Size (Model XTY-300LJ12080)



参数 Specifications

型号	XTY-300LJ12080	XTY-500LJ12080
压力 Pressure	30tons	50tons
加料口尺寸 (L*H) Feed Opening Size (L*H)	1050*550mm	1050*550mm
压缩腔高度 Baling Chamber Height	1600mm	1700mm
包块尺寸 (L*W*H, H可调) Bale Size (L*W*H, H is adjustable)	1200*800*(500-1000)mm	1200*800*(600-1100)mm
包块重量 Bale Weight	200-400kgs	300-500kgs
功率 Power	4kw	4/5.5kw
机器重量 Machine Weight	2200kgs	2800kgs
机器外观尺寸 Machine Overall Dimension	1800*1400*2300mm	1900*1500*2550mm

机器特点

- 自动出包，显著的提高了工作效率
- 油缸交叉安装设计，降低了设备的高度，方便运输，安装及维修
- 采用开门停机设计，使机器更安全可靠
- 出包时双手按按钮，有效保护操作者安全
- 装配急停按钮，单独安装，位置醒目，使操作更安全
- 采用欧美标准的防弹门结构，能保护操作者的安全
- PLC控制，当满料时自动感应，确保每个包块的重量尺寸一致
- 装配自动平衡装置，避免因放置物料不当产生意外
- 采用日本进口NOK密封圈，使用寿命更长
- 采用日本A.M.C油管接头，确保不漏油



Features

- Automatic bale ejector for quickly and easily ejecting the bales from the machine
- Cross-cylinder design reduces the height of the balers, conveniently for transportation, installation and maintenance
- The ram will stop running downwards when the feeding gate is opened which ensures the safety of the operation
- Equipped with independent emergency stop for safe operation
- Two hands are required for pressing the buttons when eject the bales out from the machine, ensures the safety of the operator
- Equipped with Euro and U.S standard anti-rebound gate structure which makes sure the safety of operation
- PLC control system ensures the uniform bale weight
- Special ram guides design makes the platen not slope because of uneven materials feedings during compression
- Equipped with NOK seals that from Japan means longer lifespan of the seals
- Equipped with A.M.C. oil pipe joints that from Japan ensures the machine far away from oil leakage problems
- Equipped with cartridge valves that from USA, less space required for the installation
- Low noise design, ensures the noise no more than 70db